

CD4002M/CD4002C Dual 4-Input NOR Gate CD4012M/CD4012C Dual 4-Input NAND Gate

General Description

These NOR and NAND gates are monolithic complementary MOS (CMOS) integrated circuits. The N- and P-channel enhancement mode transistors provide a symmetrical circuit with output swings essentially equal to the supply voltage. This results in high noise immunity over a wide supply voltage range. No DC power other than that caused by leakage current is consumed during static conditions. All inputs are protected against static discharge and latching conditions.

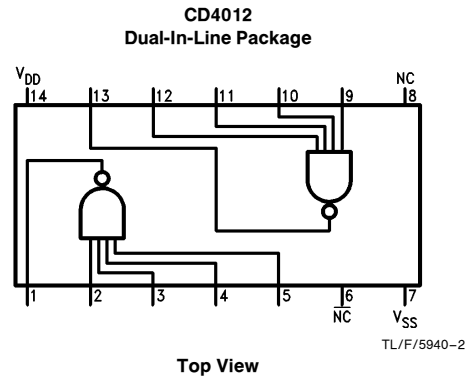
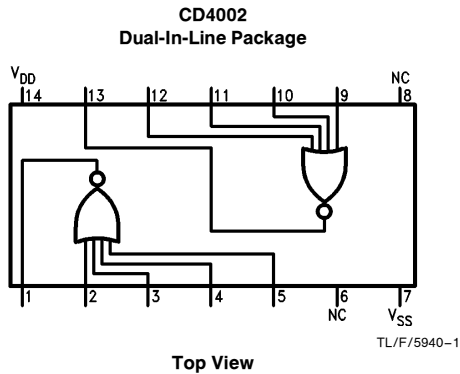
Features

- Wide supply voltage range 3.0V to 15V
- Low power 10 nW (typ.)
- High noise immunity 0.45 V_{DD} (typ.)

Applications

- Automotive
- Data terminals
- Instrumentation
- Medical Electronics
- Alarm system
- Industrial controls
- Remote metering
- Computers

Connection Diagrams



Order Number CD4002 or CD4012

CD4002M/CD4002C Dual 4-Input NOR Gate
CD4012M/CD4012C Dual 4-Input NAND Gate

Absolute Maximum Ratings (Note 1)

If Military/Aerospace specified devices are required, please contact the National Semiconductor Sales Office/Distributors for availability and specifications.

Voltage at Any Pin $V_{SS} - 0.3V$ to $V_{DD} + 0.3V$

Operating Temperature Range
 CD4002M, CD4012M $-55^{\circ}C$ to $+125^{\circ}C$
 CD4002C, CD4012C $-40^{\circ}C$ to $+85^{\circ}C$

Storage Temperature Range (T_S) $-65^{\circ}C$ to $+150^{\circ}C$

Power Dissipation (P_D)
 Dual-In-Line 700 mW
 Small Outline 500 mW

Operating Range (V_{DD}) $V_{SS} + 3.0V$ to $V_{SS} + 15V$

Lead Temperature (T_L)
 (Soldering, 10 seconds) 260°C

DC Electrical Characteristics CD4002M, CD4012M

| Symbol | Parameter | Conditions | Limits | | | | | | Units | |
|----------|------------------------------------------------|---------------------------------------------------------------------------------------|----------------|--------------|---------------|----------------|--------------|----------------|--------------|--------------------|
| | | | -55°C | | +25°C | | | +125°C | | |
| | | | Min | Max | Min | Typ | Max | Min | | Max |
| I_{DD} | Quiescent Device Current | $V_{DD} = 5.0V$ $V_{DD} = 10V$ | | 0.05 0.1 | | 0.001 0.001 | 0.05 0.1 | | 3.0 6 | μA μA |
| P_D | Quiescent Device Dissipation/Package | $V_{DD} = 5.0V$ $V_{DD} = 10V$ | | 0.25 1.0 | | 0.005 0.01 | 0.25 1.0 | | 15 60 | μW μW |
| V_{OL} | Output Voltage Low Level | $V_{DD} = 5.0V, V_I = V_{DD}, I_O = 0A$ $V_{DD} = 10V, V_I = V_{DD}, I_O = 0A$ | | 0.05 0.05 | | 0 0 | 0.05 0.05 | | 0.05 0.05 | V V |
| V_{OH} | Output Voltage High Level | $V_{DD} = 5.0V, V_I = V_{SS}, I_O = 0A$ $V_{DD} = 10V, V_I = V_{SS}, I_O = 0A$ | 4.95 9.95 | | 4.95 9.95 | 5.0 10 | | 4.95 9.95 | | V V |
| V_{NL} | Noise Immunity (All Inputs) | $V_{DD} = 5.0V, V_O = 3.6V, I_O = 0A$ $V_{DD} = 10V, V_O = 7.2V, I_O = 0A$ | 1.5 3.0 | | 1.5 3.0 | 2.25 4.5 | | 1.4 2.9 | | V V |
| V_{NH} | Noise Immunity (All Inputs) | $V_{DD} = 5.0V, V_O = 0.95V, I_O = 0A$ $V_{DD} = 10V, V_O = 2.9V, I_O = 0A$ | 1.4 2.9 | | 1.5 3.0 | 2.25 4.5 | | 1.5 3.0 | | V V |
| I_{DN} | Output Drive Current N-Channel (4002) (Note 2) | $V_{DD} = 5.0V, V_O = 0.4V, V_I = V_{DD}$ $V_{DD} = 10V, V_O = 0.5V, V_I = V_{DD}$ | 0.5 1.1 | | 0.40 0.9 | 1.0 2.5 | | 0.28 0.65 | | mA mA |
| I_{DP} | Output Drive Current P-Channel (4002) (Note 2) | $V_{DD} = 5.0V, V_O = 2.5V, V_I = V_{SS}$ $V_{DD} = 10V, V_O = 9.5V, V_I = V_{SS}$ | -0.62 -0.62 | | -0.5 -0.5 | -2.0 -1.0 | | -0.35 -0.35 | | mA mA |
| I_{DN} | Output Drive Current N-Channel (4012) (Note 2) | $V_{DD} = 5.0V, V_O = 0.4V, V_I = V_{DD}$ $V_{DD} = 10V, V_O = 0.5V, V_I = V_{DD}$ | 0.31 0.63 | | 0.25 0.5 | 0.5 0.6 | | 0.175 0.35 | | mA mA |
| I_{DP} | Output Drive Current P-Channel (4012) (Note 2) | $V_{DD} = 5.0V, V_O = 2.5V, V_I = V_{SS}$ $V_{DD} = 10V, V_O = 9.5V, V_I = V_{SS}$ | -0.31 -0.75 | | -0.25 -0.6 | -0.5 -1.2 | | -0.175 -0.4 | | mA mA |
| I_I | Input Current | | | | | 10 | | | | pA |

Note 1: "Absolute Maximum Ratings" are those values beyond which the safety of the device cannot be guaranteed. Except for "Operating Temperature Range" they are not meant to imply that the devices should be operated at these limits. The table of "Electrical Characteristics" provides conditions for actual device operation.

Note 2: I_{DN} and I_{DP} are tested one output at a time.

DC Electrical Characteristics CD4002C, CD4012C

| Symbol | Parameter | Conditions | Limits | | | | | | Units | |
|----------|------------------------------------------------|---------------------------------------------------------------------------------------|-----------------|--------------|---------------|----------------|--------------|-----------------|--------------|--------------------|
| | | | – 55°C | | + 25°C | | | + 85°C | | |
| | | | Min | Max | Min | Typ | Max | Min | | Max |
| I_{DD} | Quiescent Device Current | $V_{DD} = 5.0V$ $V_{DD} = 10V$ | | 0.5 5.0 | | 0.005 0.005 | 0.5 5.0 | | 15 30 | μA μA |
| P_D | Quiescent Device Dissipation/Package | $V_{DD} = 5.0V$ $V_{DD} = 10V$ | | 2.5 50 | | 0.025 0.05 | 2.5 50 | | 75 300 | μW μW |
| V_{OL} | Output Voltage Low Level | $V_{DD} = 5.0V, V_I = V_{DD}, I_O = 0A$ $V_{DD} = 10V, V_I = V_{DD}, I_O = 0A$ | | 0.05 0.05 | | 0 0 | 0.05 0.05 | | 0.05 0.05 | V V |
| V_{OH} | Output Voltage High Level | $V_{DD} = 5.0V, V_I = V_{SS}, I_O = 0A$ $V_{DD} = 10V, V_I = V_{SS}, I_O = 0A$ | 4.95 9.95 | | 4.95 9.95 | 5.0 10 | | 4.95 9.95 | | V V |
| V_{NL} | Noise Immunity (All Inputs) | $V_{DD} = 5.0V, V_O \geq 3.6V, I_O = 0A$ $V_{DD} = 10V, V_O \geq 7.2V, I_O = 0A$ | 1.5 3.0 | | 1.5 3.0 | 2.25 4.5 | | 1.4 2.9 | | V V |
| V_{NH} | Noise Immunity (All Inputs) | $V_{DD} = 5.0V, V_O \leq 0.95V, I_O = 0A$ $V_{DD} = 10V, V_O \leq 2.9V, I_O = 0A$ | 1.4 2.9 | | 1.5 3.0 | 2.25 4.5 | | 1.5 3.0 | | V V |
| I_{DN} | Output Drive Current N-Channel (4002) (Note 2) | $V_{DD} = 5.0V, V_O = 0.4V, V_I = V_{DD}$ $V_{DD} = 10V, V_O = 0.5V, V_I = V_{DD}$ | 0.35 0.72 | | 0.3 0.6 | 1.0 2.5 | | 0.24 0.48 | | mA mA |
| I_{DN} | Output Drive Current N-Channel (4012) (Note 2) | $V_{DD} = 5.0V, V_O = 0.4V, V_I = V_{DD}$ $V_{DD} = 10V, V_O = 0.5V, V_I = V_{DD}$ | 0.145 0.3 | | 0.12 0.25 | 0.5 0.6 | | 0.095 0.2 | | mA mA |
| I_{DP} | Output Drive Current P-Channel (4002) (Note 2) | $V_{DD} = 5.0V, V_O = 2.5V, V_I = V_{SS}$ $V_{DD} = 10V, V_O = 9.5V, V_I = V_{SS}$ | –0.35 –0.3 | | –0.3 –0.25 | –2.0 –1.0 | | –0.24 –0.2 | | mA mA |
| I_{DP} | Output Drive Current P-Channel (4012) (Note 2) | $V_{DD} = 5.0V, V_O = 2.5V, V_I = V_{SS}$ $V_{DD} = 10V, V_O = 9.5V, V_I = V_{SS}$ | –0.145 –0.35 | | –0.12 –0.3 | –0.5 –1.2 | | –0.095 –0.24 | | mA mA |
| I_I | Input Current | | | | | 10 | | | | pA |

Note 1: "Absolute Maximum Ratings" are those values beyond which the safety of the device cannot be guaranteed. Except for "Operating Temperature Range" they are not meant to imply that the devices should be operated at these limits. The table of "Electrical Characteristics" provides conditions for actual device operation.

Note 2: I_{DN} and I_{DP} are tested one output at a time.

AC Electrical Characteristics* $T_A = 25^\circ\text{C}$, $C_L = 15\text{ pF}$, and input rise and fall times = 20 ns. Typical temperature coefficient for all values of $V_{DD} = 0.3\%/^\circ\text{C}$.

| Symbol | Parameter | Conditions | Min | Typ | Max | Units |
|------------------|---------------------------------------------|------------------------|-----|-----|-----|-------|
| CD4002M | | | | | | |
| t _{PHL} | Propagation Delay Time High to Low Level | V _{DD} = 5.0V | | 35 | 50 | ns |
| | | V _{DD} = 10V | | 25 | 40 | ns |
| t _{PLH} | Propagation Delay Time Low to High Level | V _{DD} = 5.0V | | 35 | 50 | ns |
| | | V _{DD} = 10V | | 25 | 40 | ns |
| t _{THL} | Transition Time High to Low Level | V _{DD} = 5.0V | | 65 | 175 | ns |
| | | V _{DD} = 10V | | 35 | 75 | ns |
| t _{TLH} | Transition Time Low to High Level | V _{DD} = 5.0V | | 65 | 125 | ns |
| | | V _{DD} = 10V | | 35 | 70 | ns |
| C _{IN} | Input Capacitance | Any Input | | 5.0 | | pF |
| CD4002C | | | | | | |
| t _{PHL} | Propagation Delay Time High to Low Level | V _{DD} = 5.0V | | 35 | 120 | ns |
| | | V _{DD} = 10V | | 25 | 65 | ns |
| T _{PLH} | Propagation Delay Time Low to High Level | V _{DD} = 5.0V | | 35 | 80 | ns |
| | | V _{DD} = 10V | | 25 | 55 | ns |
| t _{THL} | Transition Time High to Low Level | V _{DD} = 5.0V | | 65 | 300 | ns |
| | | V _{DD} = 10V | | 35 | 125 | ns |
| t _{TLH} | Transition Time Low to High Level | V _{DD} = 5.0V | | 65 | 200 | ns |
| | | V _{DD} = 10V | | 35 | 115 | ns |
| C _{IN} | Input Capacitance | Any Input | | 5.0 | | pF |

*AC Parameters are guaranteed by DC correlated testing.

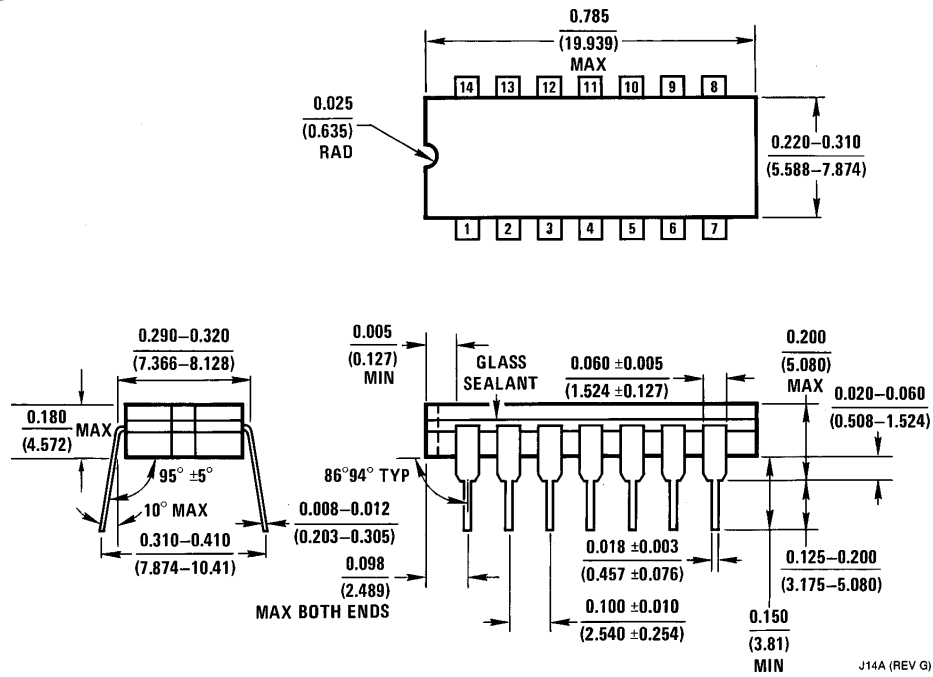
AC Electrical Characteristics* $T_A = 25^\circ\text{C}$, $C_L = 15\text{ pF}$, and input rise and fall times = 20 ns. Typical temperature coefficient for all values of $V_{DD} = 0.3\%/^\circ\text{C}$.

| Symbol | Parameter | Conditions | Min | Typ | Max | Units |
|------------------|---------------------------------------------|------------------------|-----|-----|-----|-------|
| CD4012M | | | | | | |
| t _{PHL} | Propagation Delay Time High to Low Level | V _{DD} = 5.0V | | 50 | 75 | ns |
| | | V _{DD} = 10V | | 25 | 40 | ns |
| t _{PLH} | Propagation Delay Time Low to High Level | V _{DD} = 5.0V | | 50 | 75 | ns |
| | | V _{DD} = 10V | | 25 | 40 | ns |
| t _{THL} | Transition Time High to Low Level | V _{DD} = 5.0V | | 75 | 125 | ns |
| | | V _{DD} = 10V | | 50 | 75 | ns |
| t _{TLH} | Transition Time Low to High Level | V _{DD} = 5.0V | | 75 | 100 | ns |
| | | V _{DD} = 10V | | 40 | 60 | ns |
| C _{IN} | Input Capacitance | Any Input | | 5.0 | | pF |
| CD4012C | | | | | | |
| t _{PHL} | Propagation Delay Time High to Low Level | V _{DD} = 5.0V | | 50 | 100 | ns |
| | | V _{DD} = 10V | | 25 | 50 | ns |
| T _{PLH} | Propagation Delay Time Low to High Level | V _{DD} = 5.0V | | 50 | 100 | ns |
| | | V _{DD} = 10V | | 25 | 50 | ns |
| t _{THL} | Transition Time High to Low Level | V _{DD} = 5.0V | | 75 | 150 | ns |
| | | V _{DD} = 10V | | 50 | 100 | ns |
| t _{TLH} | Transition Time Low to High Level | V _{DD} = 5.0V | | 75 | 125 | ns |
| | | V _{DD} = 10V | | 40 | 75 | ns |
| C _{IN} | Input Capacitance | Any Input | | 5.0 | | pF |

*AC Parameters are guaranteed by DC correlated testing.

Note 1: "Absolute Maximum Ratings" are those values beyond which the safety of the device cannot be guaranteed. Except for "Operating Temperature Range" they are not meant to imply that the devices should be operated at these limits. The table of "Electrical Characteristics" provides conditions for actual device operation.

Physical Dimensions inches (millimeters)

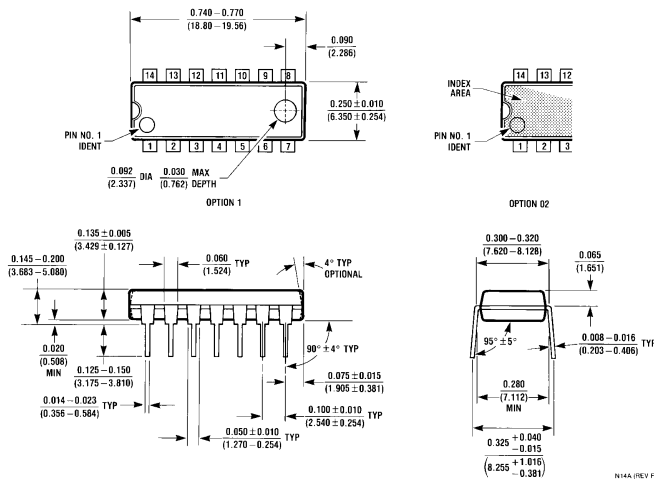


Ceramic Dual-In-Line Package (J)
 Order Number CD4002MJ, CD4002CJ, CD4012MJ or CD4012CJ
 NS Package Number J14A

J14A (REV G)

CD4002M/CD4002C Dual 4-Input NOR Gate
CD4012M/CD4012C Dual 4-Input NAND Gate

Physical Dimensions inches (millimeters) (Continued)



Molded Dual-In-Line Package (N)
Order Number CD4002MN, CD4002CN, CD4012MN or CD4012CN
NS Package Number N14A

LIFE SUPPORT POLICY

NATIONAL'S PRODUCTS ARE NOT AUTHORIZED FOR USE AS CRITICAL COMPONENTS IN LIFE SUPPORT DEVICES OR SYSTEMS WITHOUT THE EXPRESS WRITTEN APPROVAL OF THE PRESIDENT OF NATIONAL SEMICONDUCTOR CORPORATION. As used herein:

1. Life support devices or systems are devices or systems which, (a) are intended for surgical implant into the body, or (b) support or sustain life, and whose failure to perform, when properly used in accordance with instructions for use provided in the labeling, can be reasonably expected to result in a significant injury to the user.
2. A critical component is any component of a life support device or system whose failure to perform can be reasonably expected to cause the failure of the life support device or system, or to affect its safety or effectiveness.



National Semiconductor Corporation
 1111 West Bardin Road
 Arlington, TX 76017
 Tel: 1(800) 272-9959
 Fax: 1(800) 737-7018

National Semiconductor Europe
 Fax: (+49) 0-180-530 85 86
 Email: cnjwge@tevm2.nsc.com
 Deutsch Tel: (+49) 0-180-530 85 85
 English Tel: (+49) 0-180-532 78 32
 Français Tel: (+49) 0-180-532 93 58
 Italiano Tel: (+49) 0-180-534 16 80

National Semiconductor Hong Kong Ltd.
 19th Floor, Straight Block,
 Ocean Centre, 5 Canton Rd.
 Tsimshatsui, Kowloon
 Hong Kong
 Tel: (852) 2737-1600
 Fax: (852) 2736-9960

National Semiconductor Japan Ltd.
 Tel: 81-043-299-2309
 Fax: 81-043-299-2408

National does not assume any responsibility for use of any circuitry described, no circuit patent licenses are implied and National reserves the right at any time without notice to change said circuitry and specifications.