

## LED Backlight Driver for LCD Monitors and Televisions

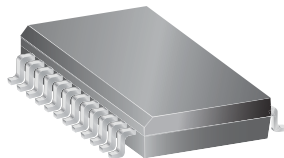
### Features and Benefits

- Fixed frequency current mode control with integrated gate driver
- Each individual current sink is capable of 80 mA
- Adjustable overvoltage protection (OVP)
- Active current sharing between LED strings for  $\pm 0.6\%$  accuracy and matching
- 250 kHz to 1 MHz adjustable switching frequency
- Open or shorted LED string protection
- Overtemperature, cycle-by-cycle current limit, and undervoltage protection
- No audible MLCC noise during PWM dimming
- No pull-up resistors required for LED modules that use ESD capacitors
- SOIC 24-pin package for easy single-side PCB manufacturing or TSSOP 24-pin package with exposed thermal pad for better thermal performance

### Packages:



24-pin TSSOP  
with exposed thermal pad  
(Package LP)



24-pin SOICW  
with internally fused pins  
(LB package)

Not to scale

### Description

The A8507 is a multi-output WLED/RGB driver for backlighting LCD monitors and televisions. The A8507 integrates a boost controller to drive external MOSFET and six internal current-sinks. The boost converter is constant frequency current mode converter.

PWM dimming allows LED currents to be controlled in 500:1 ratio. The LED sinks are capable of sinking up to 80 mA each, and can be paralleled together to achieve even higher currents.

The A8507 provides protection against overvoltage, open or shorted LED string, and overtemperature. A dual level cycle-by-cycle current limit function provides soft start and protects against overloads.

The device is provided in a 24-pin SOICW package (LB), with internally fused pins for enhanced thermal dissipation, and a 24-pin TSSOP package (LP), with an exposed thermal pad for enhanced thermal dissipation. Both packages are lead (Pb) free, with 100% matte tin leadframe plating.

### Functional Block Diagram

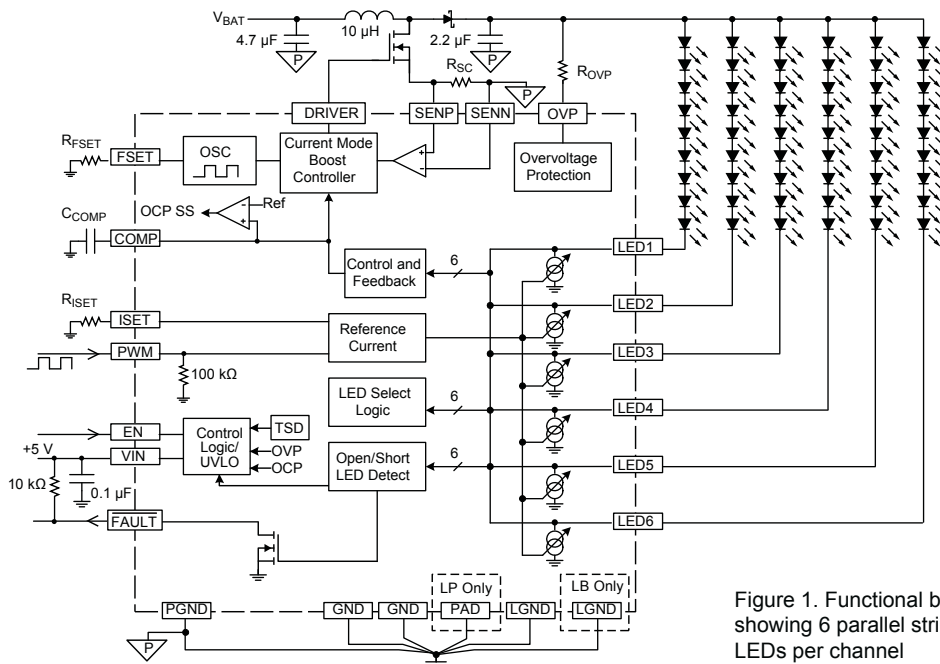


Figure 1. Functional block diagram showing 6 parallel strings with 9 series LEDs per channel

### Selection Guide

Part Number	Packing	Package
A8507ELBTR-T	1000 pieces per 13-in. reel	24-pin SOICW, with internally fused pins for enhanced thermal dissipation
A8507ELPTR-T	4000 pieces per 13-in. reel	24-pin TSSOP, with exposed thermal pad for enhanced thermal dissipation



### Absolute Maximum Ratings

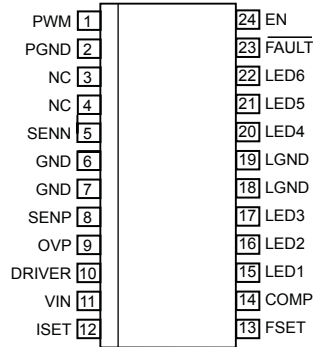
Characteristic	Symbol	Notes	Rating	Unit
LED Output Voltage	$V_{LEDx}$		-0.3 to 40	V
OVP Pin Input Voltage	$V_{OVP}$		-0.3 to 50	V
SENP and SENN Pin Input Voltage	$V_{SENx}$		-0.3 to 1	V
Remaining Pins Input Voltage	$V_{IN}$		-0.3 to 7	V
Operating Ambient Temperature	$T_A$	Range E	-40 to 85	°C
Maximum Junction Temperature	$T_J(max)$		150	°C
Storage Temperature	$T_{stg}$		-55 to 150	°C

**Thermal Characteristics** may require derating at maximum conditions, see application information

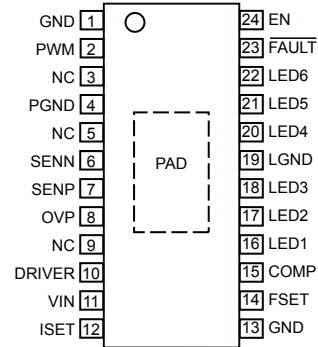
Characteristic	Symbol	Test Conditions*	Value	Unit
Package Thermal Resistance	$R_{\theta JA}$	Package LB, on 2-layer PCB, 1-in <sup>2</sup> 2-oz copper exposed area	51	°C/W
		Package LB, on 4-layer PCB, based on JEDEC standard	35	°C/W
		Package LP, 4-layer PCB, based on JEDEC standard	28	°C/W

\*Additional thermal information available on the Allegro website

## Pin-out Diagrams



Package LB



Package LP

## Terminal List Table

Number		Name	Function
LB	LP		
1	2	PWM	PWM LED-current control; apply logic level PWM for dimming
2	4	PGND	Power ground for external FET gate driver; connect to common star ground and $R_{SC}$ ground
3,4	3,5,9	NC	No internal electrical connection to these pins
5	6	SENN	Connect ground side of current sense resistor $R_{SC}$
6,7	1,13	GND	Connect to common star ground
8	7	SENP	Connect high side of current sense resistor $R_{SC}$
9	8	OVP	Connect this pin to output capacitor +ve node to enable overvoltage protection; typical OVP level is 36 V, and this level can be increased by connecting through an external resistor $R_{OVP}$
10	10	DRIVER	Gate driver terminal to drive external MOSFET
11	11	VIN	Input supply for the IC; decouple with a 0.1 $\mu$ F ceramic capacitor
12	12	ISET	Sets 100% Current through LED strings; connect $R_{ISET}$ from ISET to GND
13	14	FSET	Sets switching frequency; connect $R_{FSET}$ from FSET to GND
14	15	COMP	Compensation pin; connect 1 $\mu$ F capacitor to GND or common star ground
15,16,17	16,17,18	LEDx	LED sinks capable of 80 mA sink; connect unused LEDx pins to ground
18,19	19	LGND	Connect to common star ground
20,21,22	20,21,22	LEDx	LED sinks capable of 80 mA sink; connect unused LEDx pins to ground
23	23	$\overline{\text{FAULT}}$	During normal operation, this pin is high (high impedance); at a fault event, this pin pulls low
24	24	EN	Device enable
-	PAD	PAD	Exposed pad for enhanced thermal dissipation, connect to common star ground

**ELECTRICAL CHARACTERISTICS** Valid at  $V_{IN} = 5\text{ V}$ ;  $T_A = 25^\circ\text{C}$ ,  $R_{FSET} = 52\text{ k}\Omega$ ,  $R_{ISET} = 12.4\text{ k}\Omega$ , except • indicates specifications guaranteed over the full operating temperature range with  $T_A = T_J$ , unless otherwise noted

Characteristics	Symbol	Test Conditions	Min.	Typ. <sup>1</sup>	Max.	Unit
Input Voltage Range	$V_{IN}$		• 4.3	–	5.5	V
Undervoltage Lockout Threshold	$V_{UVLO}$	$V_{IN}$ Falling	• –	–	4.0	V
Undervoltage Lockout Hysteresis	$V_{UVLOHYS}$		–	0.1	–	V
Supply Current <sup>2</sup>	$I_{VIN}$	Switching at no load	–	7	–	mA
		Shutdown, $EN = V_{IL}$ , $T_A = 25^\circ\text{C}$	–	0.1	1	$\mu\text{A}$
		Standby, $EN = V_{IH}$ , $PWM = V_{IL}$ , soft start completed	• –	1	2	mA
<b>Boost Controller</b>						
Switching Frequency	$f_{SW}$		• 0.8	1	1.25	MHz
Minimum Switch Off-Time	$t_{off(min)}$	Driver output	–	72	–	ns
Minimum Switch On-Time	$t_{on(min)}$	Driver output	–	72	–	ns
<b>Logic Input Levels (EN and PWM pins)</b>						
Input Voltage Level Low	$V_{IL}$		• –	–	0.4	V
Input Voltage Level High	$V_{IH}$		• 1.5	–	–	V
Input Leakage Current <sup>2</sup>	$I_{IN}$	$EN = PWM = 5\text{ V}$	–	100	–	$\mu\text{A}$
<b>Driver Section</b>						
High Side Gate Drive On Resistance	$R_{DS(on)H}$	Measured at $V_{GATE} = V_{IN} / 2$	–	9	–	$\Omega$
Low Side Gate Drive On Resistance	$R_{DS(on)L}$	Measured at $V_{GATE} = V_{IN} / 2$	–	10	–	$\Omega$
Driver to GND Resistance During Shutdown	$R_{SDOFF}$		–	125	–	k $\Omega$
Sense Overcurrent Threshold Voltage	$V_{SEN}$	$V_{SENP} - V_{SENN}$	80	95	110	mV
<b>LED Current Sinks</b>						
LEDx Pin Regulation Voltage	$V_{LEDx}$	$I_{LED} = 80\text{ mA}$	–	1	–	V
$I_{SET}$ to $I_{LEDx}$ Current Gain	$A_{ISET}$	$I_{SET} = 100\text{ }\mu\text{A}$	–	640	–	A/A
ISET Pin Voltage	$V_{ISET}$		–	1.235	–	V
$I_{SET}$ Allowable Current Range <sup>2</sup>	$I_{SET}$		• 41	–	125	$\mu\text{A}$
LEDx Accuracy <sup>3</sup>	$Err_{ILEDx}$	LED1 through LED6 = 1 V, at 100% Current	• –3	$\pm 0.6$	3	%
LEDx Matching <sup>4</sup>	$\Delta I_{LEDx}$	LED1 through LED6 = 1 V, $I_{SET} = 100\text{ }\mu\text{A}$	• –3	$\pm 0.6$	3	%
LEDx Switch Leakage Current <sup>2</sup>	$I_{SL}$	$V_{LEDx} = 12\text{ V}$ , $EN = 0$	–	0.1	–	$\mu\text{A}$
<b>Soft Start</b>						
Soft Start Sense Threshold Voltage	$V_{SENS}$	Sense voltage for boost switch current sensing	–	28.5	–	mV
Soft Start LEDx Current Limit Relative to LED 100% Current	$I_{LED(SS)}$	Current through enabled LEDx pins during soft start	–	8	–	%

Continued on the next page...

**ELECTRICAL CHARACTERISTICS** (continued) Valid at  $V_{IN} = 5\text{ V}$ ;  $T_A = 25^\circ\text{C}$ ,  $R_{FSET} = 52\text{ k}\Omega$ ,  $R_{ISET} = 12.4\text{ k}\Omega$ , except • indicates specifications guaranteed over the full operating temperature range with  $T_A = T_J$ , unless otherwise noted

Characteristics	Symbol	Test Conditions	Min.	Typ. <sup>1</sup>	Max.	Unit
<b>Protection Features</b>						
Thermal Shutdown Threshold	$T_{TSD}$	$T_J$ rising	–	165	–	$^\circ\text{C}$
Short Circuit Detect Voltage	$V_{SC}$		–	18.7	–	V
Output Overvoltage Threshold	$V_{OVP}$	$R_{OVP} = 0$	–	36	–	V
OVP Pin Leakage Current <sup>2</sup>	$I_{OVPLK}$	$V_{OVP} = 22\text{ V}$ , $EN = V_{IL}$	–	0.1	–	$\mu\text{A}$
Overvoltage Protection Sense Current <sup>2</sup>	$I_{OVPH}$		–	240	–	$\mu\text{A}$
$\overline{\text{FAULT}}$ Pin Output Leakage <sup>2</sup>	$I_{FLT}$	$V = 5\text{ V}$	–	–	1	$\mu\text{A}$
$\overline{\text{FAULT}}$ Pin Output Voltage	$V_{OL}$	$I = 500\text{ }\mu\text{A}$	•	–	0.4	V

<sup>1</sup>Typical specifications are at  $T_A = 25^\circ\text{C}$ .

<sup>2</sup>For input and output current specifications, negative current is defined as coming out of the node or pin (sourcing), positive current is defined as going into the node or pin (sinking).

<sup>3</sup>LED accuracy is defined as  $(I_{SET} \times 640 - I_{LED(av)}) / (I_{SET} \times 640)$ ,  $I_{LED(av)}$  measured as the average of  $I_{LED1}$  through  $I_{LED6}$ .

<sup>4</sup>LED current matching is defined as  $(I_{LEDx} - I_{LED(av)}) / I_{LED(av)}$ , with  $I_{LED(av)}$  as defined in footnote 3.

Characteristic Performance

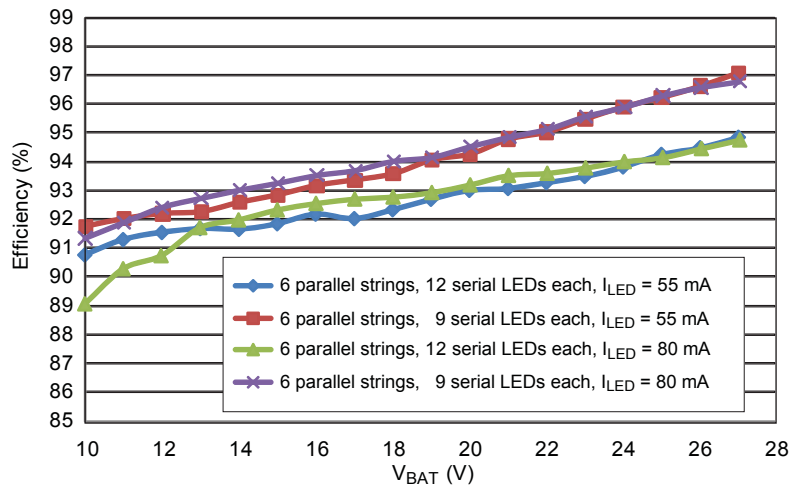


Figure 2. Efficiency versus Battery Voltage at various LED configurations,  $R_{FSET} = 105\text{ k}\Omega$  (500 kHz),  $R_{ISET} = 14.3\text{ k}\Omega$  (55 mA) or  $10\text{ k}\Omega$  (80 mA),  $Q1 = \text{FQB17N08L}$ ,  $L1 = 10\text{ }\mu\text{H}$

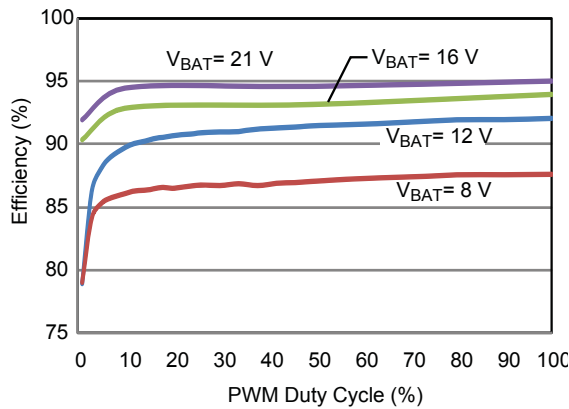


Figure 3. Efficiency versus PWM Duty Cycle at various  $V_{BAT}$  levels, 5 parallel strings with 9 series LEDs each,  $I_{LED} = 55\text{ mA}$  per channel

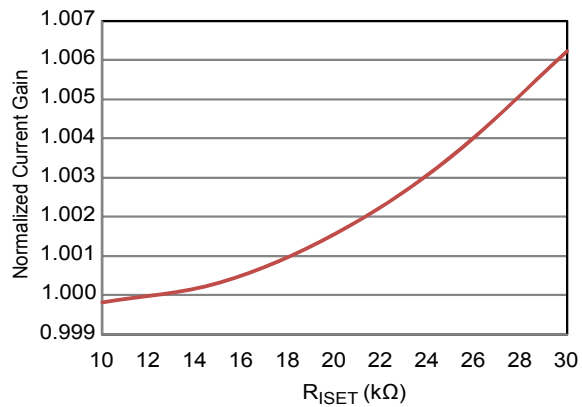


Figure 4. Normalized Current Gain versus  $R_{ISET}$ , normalized to 1 for  $R_{ISET} = 12.4\text{ k}\Omega$

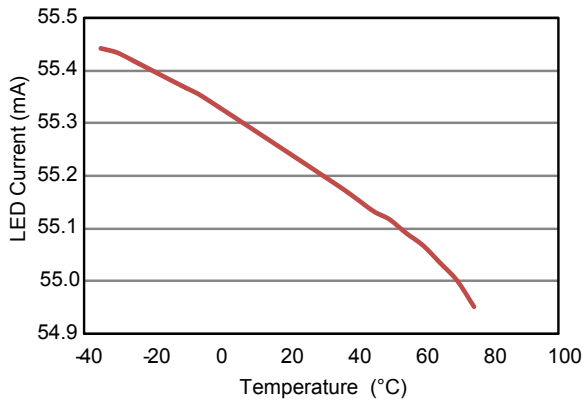


Figure 5. LED Current versus Ambient Temperature,  $R_{ISET} = 14.3\text{ k}\Omega$

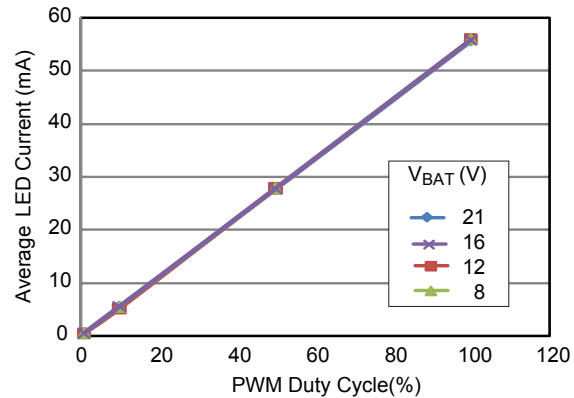


Figure 6. Average LED Current versus PWM Duty Cycle at various  $V_{BAT}$  levels, 6 parallel strings with 9 series LEDs each,  $I_{LED} = 55\text{ mA}$  per channel,  $f_{PWM} = 200\text{ Hz}$

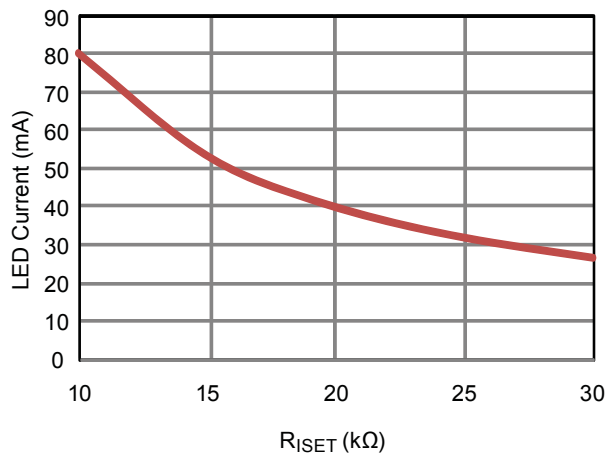


Figure 7. LED Current versus R<sub>iset</sub>

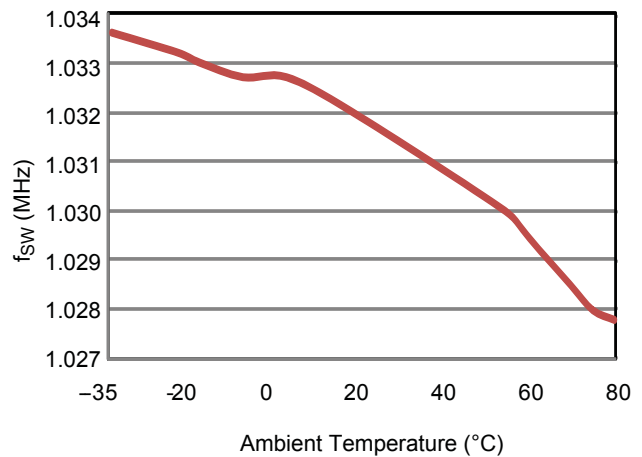


Figure 8. Switching Frequency versus Ambient Temperature

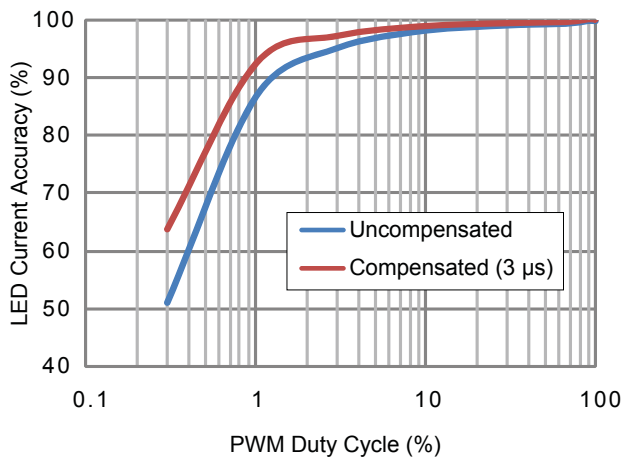


Figure 9. LED Current Accuracy versus PWM Duty Cycle, LED Current Accuracy normalized to the 100% Current level, V<sub>BAT</sub> = 12 V, 6 parallel strings with 9 series LEDs each, I<sub>LED</sub> = 55 mA per channel, f<sub>PWM</sub> = 200 Hz

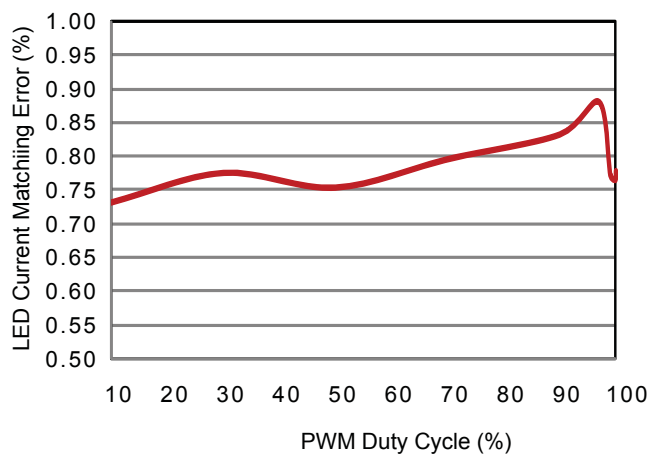


Figure 10. LED Current Matching Error versus PWM Duty Cycle, V<sub>BAT</sub> = 12 V, 6 parallel strings with 9 series LEDs each, I<sub>LED</sub> = 55 mA per channel, f<sub>PWM</sub> = 200 Hz

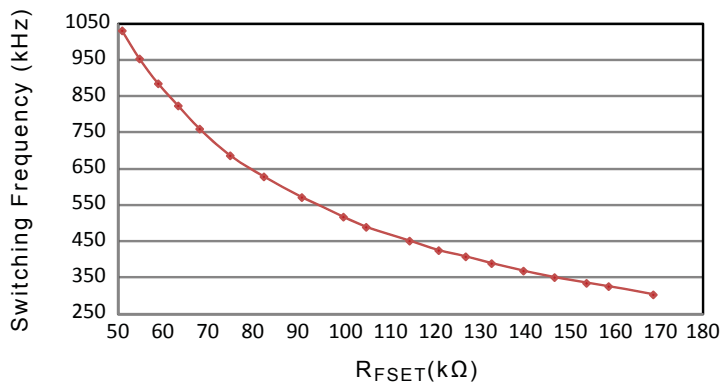
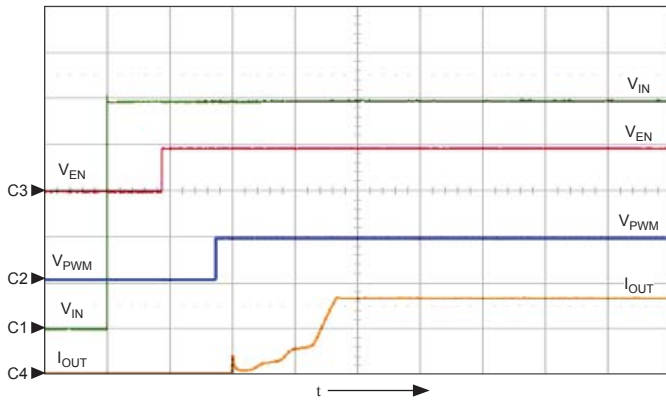


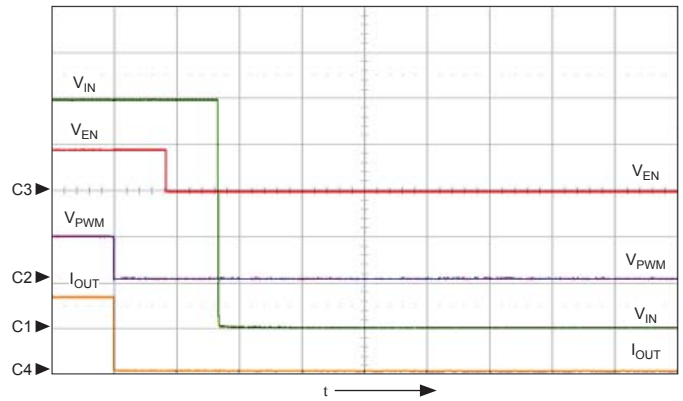
Figure 11. Switching Frequency versus R<sub>fset</sub>

Typical Power Sequencing Waveforms

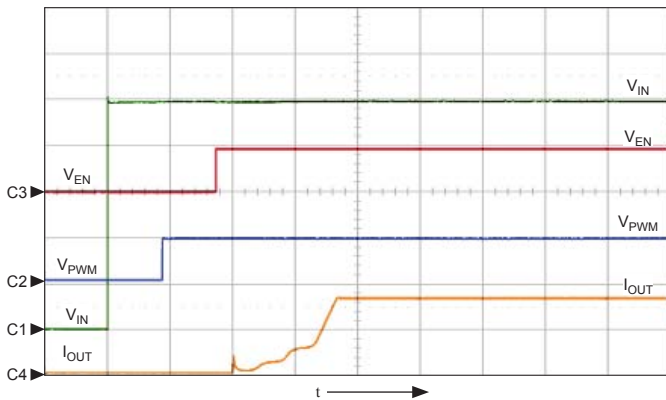
Turn-on sequence  
 $V_{IN} - V_{EN} - V_{PWM}$



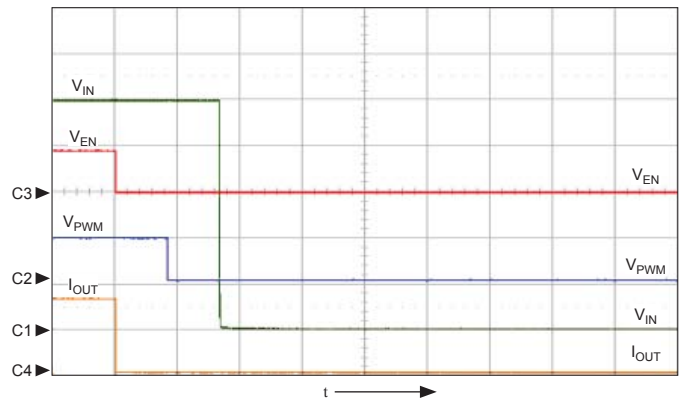
Turn-off sequence  
 $V_{PWM} - V_{EN} - V_{IN}$



Turn-on sequence  
 $V_{IN} - V_{PWM} - V_{EN}$



Turn-off sequence  
 $V_{EN} - V_{PWM} - V_{IN}$



C1:  $V_{IN}$ , 1 V / div.  
 C2:  $V_{PWM}$ , 5 V / div.  
 C3:  $V_{EN}$ , 5 V / div.  
 C4:  $I_{OUT}$ , 200 mA / div.  
 Time: 2 ms / div.

Fig 12. Alternative Turn-On and Turn-Off sequences: (top)  $V_{EN} - V_{PWM} - V_{EN}$ , (bottom)  $V_{VPWM} - V_{EN} - V_{PWM}$ , with 6 parallel strings with 9 series LEDs each,  $V_{BAT} = 12\text{ V}$ ,  $V_{PWM} = 5\text{ V}$  (100% Current),  $V_{IN} = 5\text{ V}$ ,  $V_{EN} = 5\text{ V}$ ,  $I_{LED} = 55\text{ mA}$  per channel



## Functional Description

**Overview** The A8507 is a multi-output WLED/RGB controller for backlighting medium-size displays. It has an integrated gate driver for driving an external N-channel boost MOSFET. The boost controller is fixed frequency current mode converter. The switching frequency can be set in the range from 250 kHz to 1 MHz, by an external resistor,  $R_{FSET}$ , connected between FSET and ground.

The external MOSFET switch is protected by pulse-by-pulse current limiting. The current limit is independent of duty cycle, and is set using an external sense resistor,  $R_{SC}$ .

The A8507 has six well-matched current sinks that provide regulated current through the LEDs for uniform display brightness. The boost converter is controlled by monitoring all LEDx pins simultaneously and continuously.

**LED Current Setting** The maximum LED current can be set, at up to 80 mA/channel, through the ISET pin. Connect a resistor,  $R_{ISET}$ , between this pin and ground to set the reference current level,  $I_{SET}$ . The value of  $I_{SET}$  (mA) is determined by:

$$I_{SET} = 1.235 / R_{ISET} \text{ (k}\Omega\text{)} \quad (1)$$

The resulting current is multiplied internally with a gain of 640 and mirrored on all enabled LEDx pins. This sets the maximum current through each LEDx, referred as the *100% Current*. The LEDx current can be reduced from the 100% Current value by applying an external PWM signal on the PWM pin.

**Boost Switching Frequency Setting** Connect an external resistor between the FSET pin and GND, to set boost switching frequency,  $f_{SW}$ . The value of  $f_{SW}$  (MHz) is determined by:

$$f_{SW} = 52 / R_{FSET} \text{ ,} \quad (2)$$

where  $f_{SW}$  is in MHz and  $R_{FSET}$  is in k $\Omega$ .

**Enable** The IC turns on when a high signal is applied on the EN pin, and turns off when this pin is pulled low.

**PWM Dimming** The A8507 has a very wide range for PWM signal input. It can accept a PWM signal from 100 Hz to 5 kHz. When a PWM high signal is applied, the LEDx pins sink 100% Current. When the PWM signal is low, the LED sinks turn off.

Referring to figure 13, there is a ramp-up delay between when the PWM signal is applied and when the current reaches the 90% level. To improve current dimming linearity for PWM pulse

widths less than 100  $\mu$ s, increase the applied PWM pulse-width by 3  $\mu$ s to compensate for this delay.

**Startup Sequence** When EN is pulled high, the IC enters soft start. The IC first tries to determine which LEDx pins are being used, by raising the LEDx pin voltage with a small current. After a duration of 512 switching cycles, the LEDx pin voltage is checked. Any LEDx channel with a drain voltage smaller than 100 mV is removed from the control loop.

After the first PWM positive trigger, the boost current is limited to 35% of normal value and all active LEDx pins sink  $1/12$  of the set current until output voltage reaches sufficient regulation level. When the device comes out of soft start, boost current and the LEDx pin currents are set to normal operating level. Within a few cycles, the output capacitor charges to the voltage required to supply full LEDx current. After output voltage,  $V_{OUT}$ , reaches the required level, LEDx current toggles between 0% and 100% with each PWM command signal.

In case of a heavy overload on  $V_{OUT}$  at startup, the device will stay in soft start mode indefinitely, as the output voltage cannot rise to the LED regulation level.

**LED Short Detect** Any LEDx pins that have a voltage exceeding the Short Circuit Detect Voltage,  $V_{SC}$ , cause the device to shut down and this condition is latched. This faults occurs when multiple LEDs short. In case only a few LEDs short, the IC will continue to work as long as power dissipation in the IC is limited.

**Overvoltage Protection** The A8507 has an adjustable overvoltage protection feature to protect the external MOSFET against output overvoltage. The overvoltage level can be set, from 36 V to a higher voltage, with an external resistor,  $R_{OVP}$ . When the current through the OVP pin exceeds 240  $\mu$ A, internal OVP comparator goes high and the device shuts down. The OVP

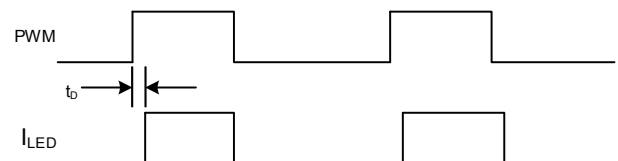


Figure 13. Propagation delay from the PWM signal rising edge to  $I_{LEDx}$  reaching the 90% level

fault disables all LEDx strings that are below regulation, thus preventing them from controlling the boost output voltage.

Calculate the value for  $R_{OVP}$  ( $\Omega$ ) as follows:

$$R_{OVP} = (V_{OVP} - 36) / 240 \mu A, \quad (3)$$

where  $V_{OVP}$  is the required OVP level in V.

**Open LED Protection** Unused LEDx pins should be connected to GND. During normal operation, if any enabled LED string opens, voltage on the corresponding LEDx pin goes to zero. The boost loop operates in open loop till the OVP level is reached. The A8507 identifies the open LED string when overvoltage is detected. Open strings are then removed from the regulation loop. Afterwards, the boost controller operates in normal manner, and the output voltage is regulated to drive the remaining strings. If the open LED string is reconnected, it will sink current up to the programmed current level.

Note: Open strings are removed from boost regulation, but not disabled. This keeps the string in operation if LEDs open for only a short length of time, or reach OVP level on a transient event.

The disconnected string can be restored to normal mode by re-enabling the IC. It can also be restored to normal operation if the fault signal is removed from the corresponding LEDx pin, but an OVP event occurs on any other LEDx pin.

**Overcurrent Protection** The IC provides pulse-by-pulse current limiting for the boost MOSFET. The current limit level,  $I_{SC}$  (A), can be set by selecting the external resistor,  $R_{SC}$  ( $\Omega$ ):

$$R_{SC} = 0.095 / I_{SC} \quad (4)$$

If the boost output voltage is unable to reach the regulation target even when the switch is operating at maximum current limit, the boost control loop will force the compensating capacitor,  $C_{COMP}$ , to rise in voltage until it reaches the overcurrent fault level (3.4V approximately). The overcurrent fault forces the device into soft start.

**Channel Selection** The A8507 can be used to drive 1 to 6 LED channels. During startup, the IC detects LED sink pins which are shorted to ground, and disables the corresponding LED channel. Therefore, any unused LED pins must be connected to ground, otherwise the IC will go into overvoltage protection fault during startup. LED pins can be paralleled together for higher current. For example for a 3 parallel string configuration, connect LED1-2, LED3-4, and LED5-6 together to deliver up to 160 mA per LED.

**Thermal Shutdown (TSD)** The IC shuts down when junction temperature exceeds 165°C. It will recover automatically when the junction temperature falls below 125°C.

**VIN Undervoltage Lockout (UVLO)** The device is shut down when input voltage,  $V_{IN}$ , falls below  $V_{UVLO}$ .

**Fault Mode** The IC functions in various fault states:

Fault State	Auto-Restart	Description
Over-voltage Protection	Yes	Fault occurs when OVP pin exceeds the $V_{OVP}$ threshold. Used to protect the output voltage from damaging the part.
Pulse-by-Pulse Current Limit	Yes	Fault occurs when the current through the external MOSFET increases exceeds such that the voltage across the SENP and SENN pins exceeds 95 mV typical. The MOSFET switch is turned off on a cycle-per-cycle basis.
Overcurrent Protection	Yes	Fault occurs when the COMP pin exceeds the overcurrent detect threshold. Multiple pulse-by-pulse current limits will result in the COMP pin voltage to rise. After a time period determined by the COMP pin current and the output capacitor, $C_{OUT}$ , the COMP voltage will exceed the overcurrent detect threshold, forcing a fault.
Over-temperature Protection	Yes	Fault occurs when the die temperature exceeds the over-temperature threshold, 165°C typical.
LED Short Protection	No	Fault occurs when the LED pin voltage exceeds $V_{SC}$ , 18.7 V typical.
VIN UVLO	No	Fault occurs when VIN drops below $V_{UVLO}$ , 4.0 V typical. This fault resets all latched faults.

## Application Information

**PCB Layout Guidelines** As with any switching power supply, care should be taken in laying out the board. A switching power supply has sources of high  $dv/dt$  and high  $di/dt$  which can cause malfunction. All general norms should be followed for board layout. Refer to figure 14 for a typical application schematic. The A8507 evaluation board provides a useful model for designing application circuit layouts.

The following guidelines should be observed:

- Place the supply bypass capacitor (C5) close to the VIN pin and the ground plane.
- Route analog ground, digital signal ground, LED ground (LGND pin), and power ground (PGND pin) separately. Connect all these grounds at the common ground plane under the A8507, serving as a star ground.
- Place the input capacitors (C1, C2), inductor (L1), boost diode (D1), MOSFET (Q1), and output capacitors (C3, C4) so that they form the smallest loop practical. Avoid long traces for these paths.
- Place the resistors  $R_{FSET}$  and  $R_{ISET}$ , and the compensation components ( $R_z$  and  $C_z$ ) close to the FSET, ISET, and COMP pins, respectively. Connect the other ends to the common star ground.
- A8507 has 50 k $\Omega$  internal pull-down resistors on the EN and PWM pins to keep these pins low while driving through tri-state state (for example, shutdown). Add external resistors R2 and R3 between the EN and PWM pins and ground, for added noise immunity. Connect these resistors close to the pins and return to the common star ground.
- Sense voltage across  $R_{SC}$  with smaller length traces. Place the SENP and SENN traces as close to each other as possible to minimize noise pickup. Connect the SENN trace to the negative end of the resistor and do not connect it to power ground plane.
- Provide a substantial copper plane near MOSFET Q1 and the IC, to provide good thermal conduction.
- Place  $R_{OVP}$  as close as possible to the OVP pin. A long trace between  $R_{OVP}$  and the OVP pin may pick up switching noises and cause overvoltage protection to trip prematurely.

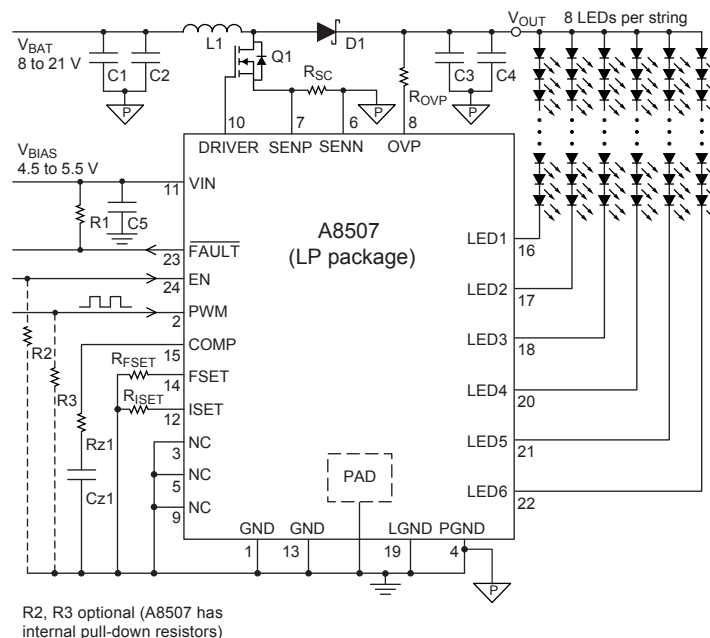


Figure 14. Typical application circuit

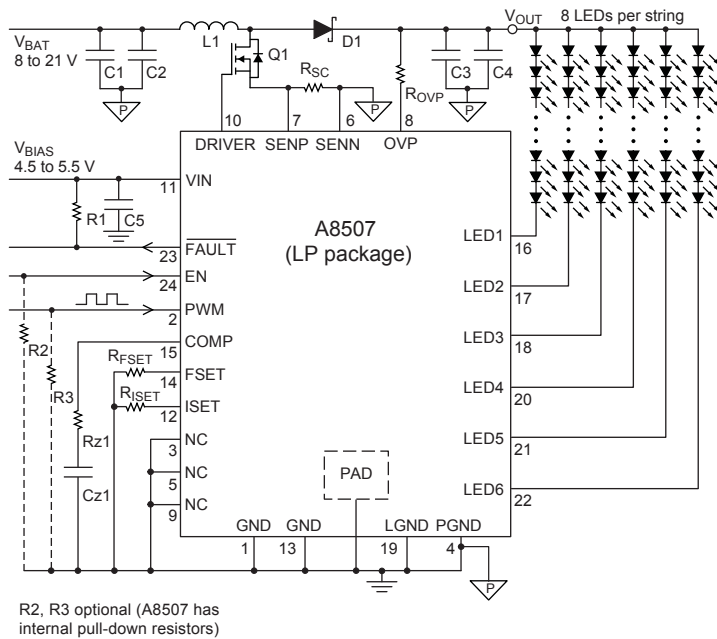


Figure 15. Typical Application with 6 parallel strings, 8 series LEDs each, 80 mA per channel

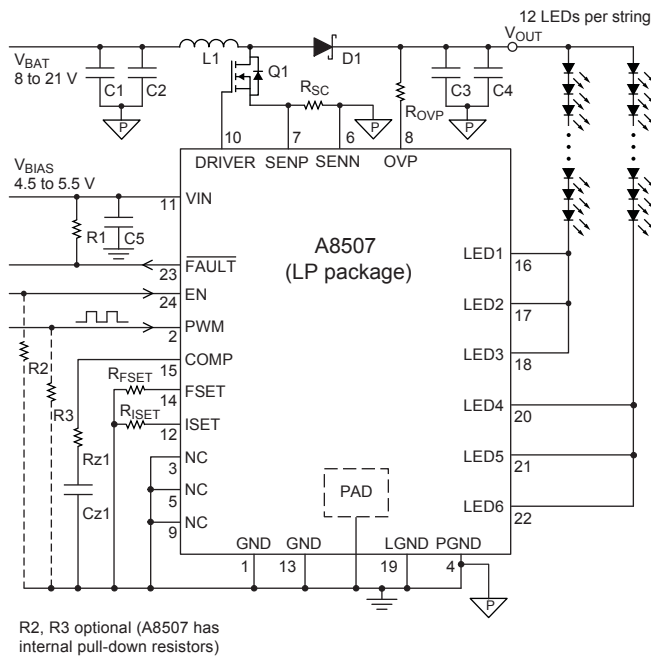
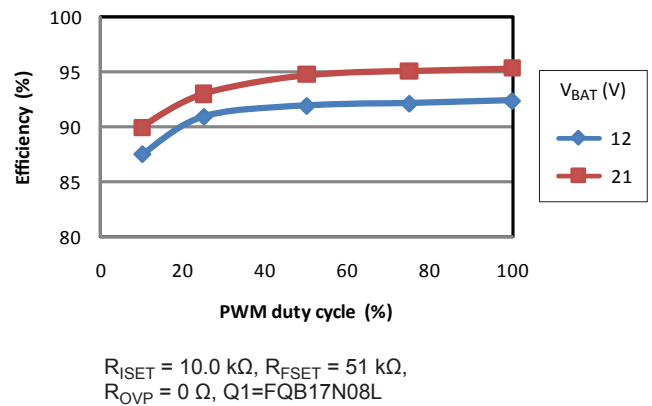
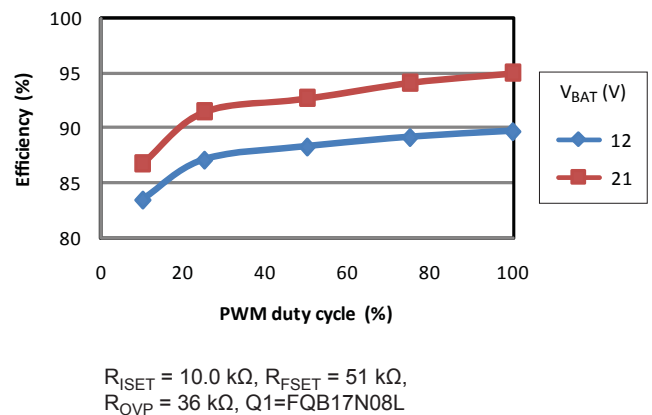


Figure 16. Typical Application with 2 parallel strings, 12 series LEDs each, 240 mA per channel



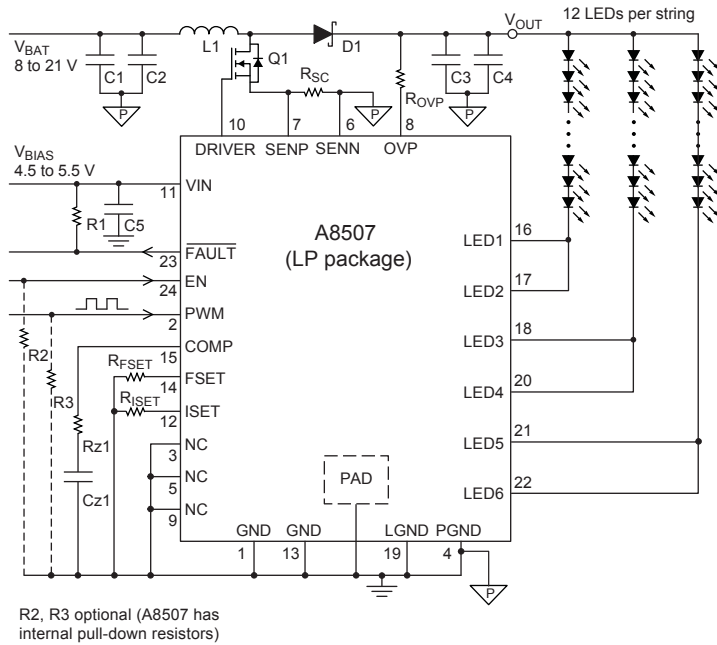
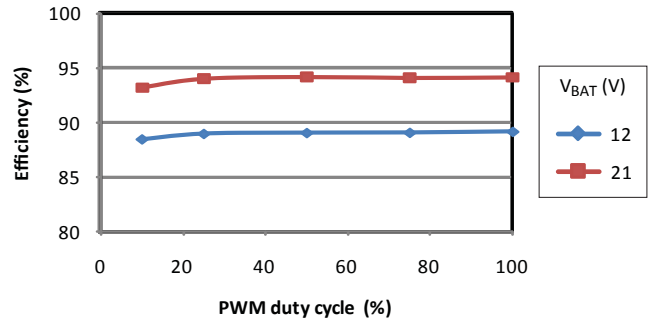


Figure 17. Typical Application with 3 parallel strings, 12 series LEDs each, 160 mA per channel



$R_{ISET} = 10.0\text{ k}\Omega$ ,  $R_{FSET} = 51\text{ k}\Omega$ ,  
 $R_{OVP} = 36\text{ k}\Omega$ ,  $Q1 = \text{FQB17N08L}$

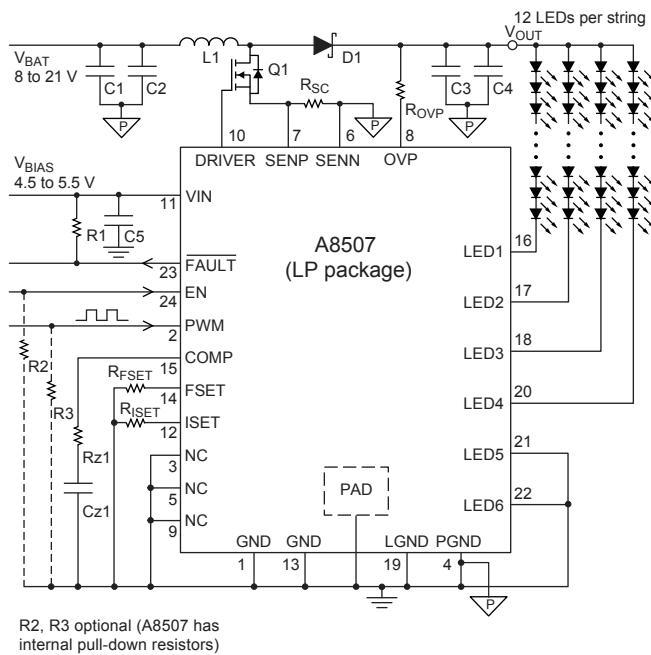
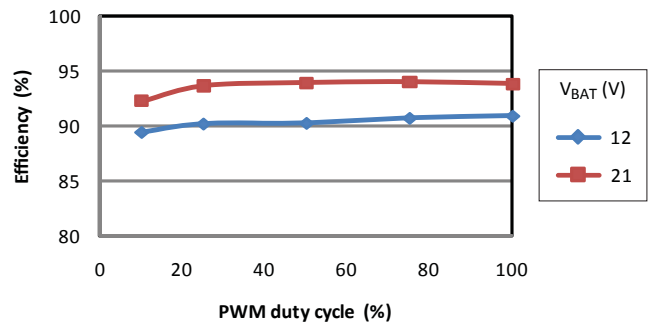
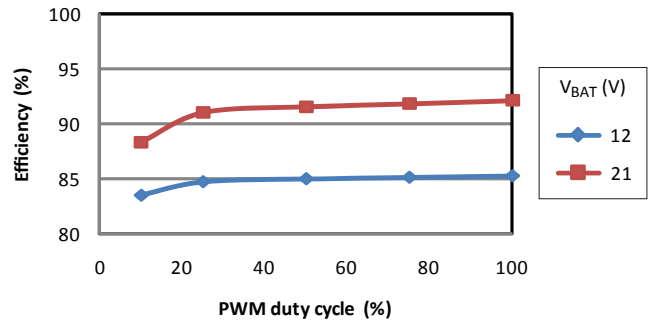
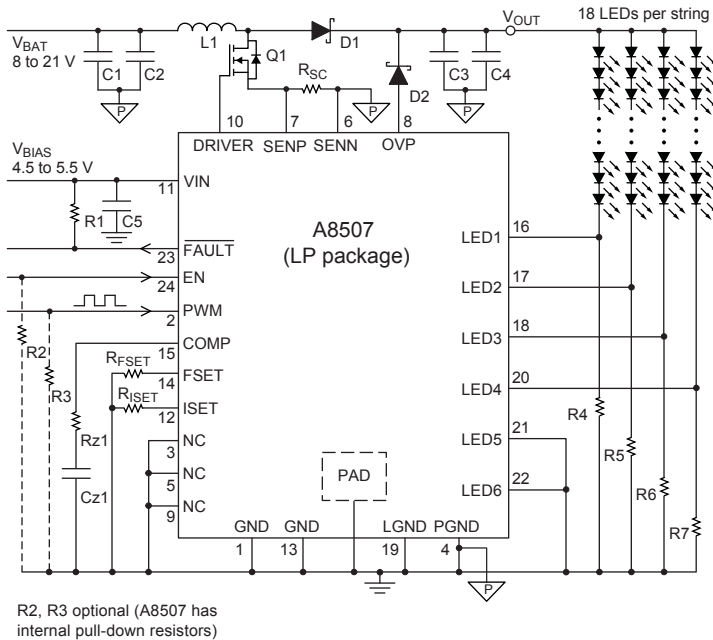


Figure 18. Typical Application with 4 parallel strings, 12 series LEDs each, 80 mA per channel



$R_{ISET} = 10.0\text{ k}\Omega$ ,  $R_{FSET} = 51\text{ k}\Omega$ ,  
 $R_{OVP} = 36\text{ k}\Omega$ ,  $Q1 = \text{FQB17N08L}$



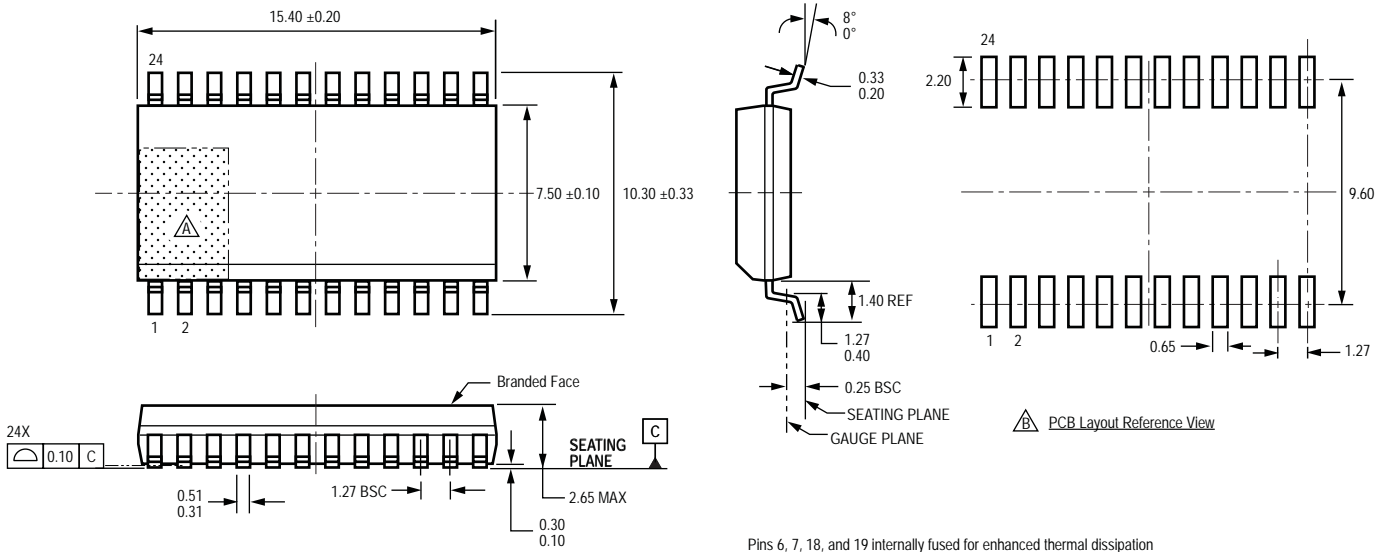
$R_{ISET} = 10.0\text{ k}\Omega$ ,  $R_{FSET} = 51\text{ k}\Omega$ ,  
 $D2 = 30\text{ V Zener}$ ,  $Q1 = FQB17N08L$

For higher output voltage, the voltage on the LEDx pins during PWM off-time may exceed the rated voltage. Connect a resistor from the LEDx pin to GND. Recommended values are:

- C3 = 2.2  $\mu\text{F}$  / 100 V ceramic
- C4 = 10  $\mu\text{F}$  / 100 V electrolytic
- R4 through R7 = 25 k $\Omega$ , 0603

Figure 19. Typical Application with 4 parallel strings, 18 series LEDs each, 80 mA per channel

## Package LB 24-Pin SOICW with Internally Fused Pins



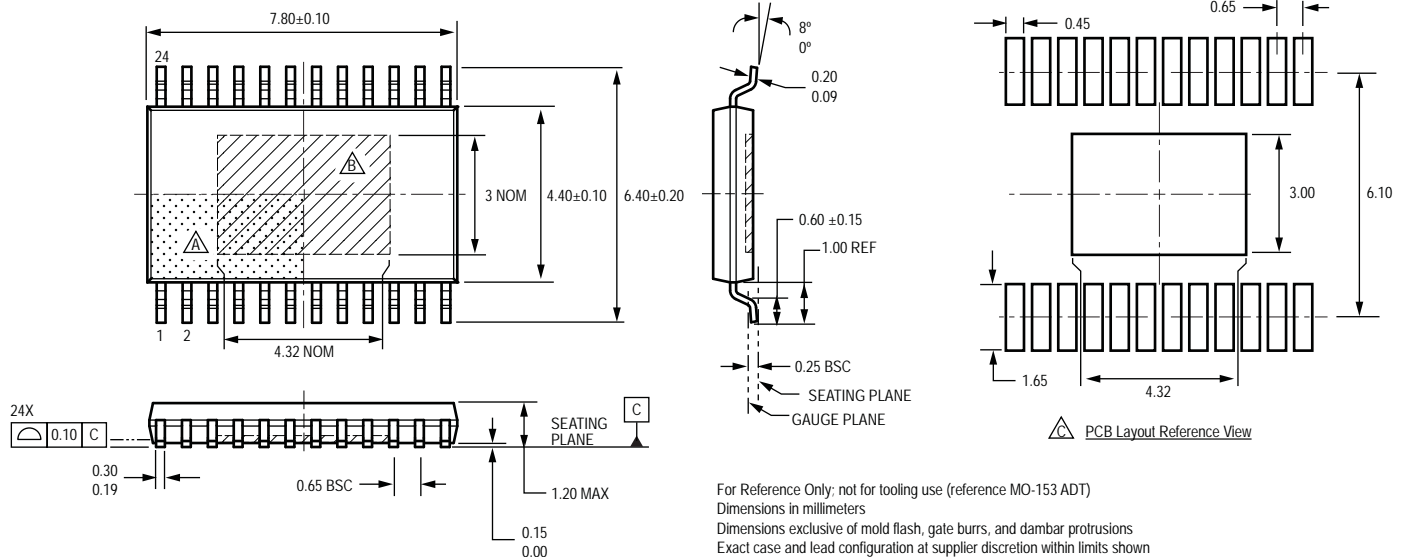
Pins 6, 7, 18, and 19 internally fused for enhanced thermal dissipation

For Reference Only; not for tooling use (reference MS-013AD)  
 Dimensions in millimeters  
 Dimensions exclusive of mold flash, gate burrs, and dambar protrusions  
 Exact case and lead configuration at supplier discretion within limits shown

Terminal #1 mark area

Reference pad layout (reference IPC SOIC127P1030X265-24M)  
 All pads a minimum of 0.20 mm from all adjacent pads; adjust as necessary to meet application process requirements and PCB layout tolerances

## Package LP 24-Pin TSSOP with Exposed Thermal Pad



For Reference Only; not for tooling use (reference MO-153 ADT)  
 Dimensions in millimeters  
 Dimensions exclusive of mold flash, gate burrs, and dambar protrusions  
 Exact case and lead configuration at supplier discretion within limits shown

- △ Terminal #1 mark area
- △ Exposed thermal pad (bottom surface); dimensions may vary with device
- △ Reference land pattern layout (reference IPC7351 TSOP65P640X120-25M); all pads a minimum of 0.20 mm from all adjacent pads; adjust as necessary to meet application process requirements and PCB layout tolerances; when mounting on a multilayer PCB, thermal vias at the exposed thermal pad land can improve thermal dissipation (reference EIA/JEDEC Standard JESD51-5)

Copyright ©2009-2010, Allegro MicroSystems, Inc.

The products described here are manufactured under one or more U.S. patents or U.S. patents pending.

Allegro MicroSystems, Inc. reserves the right to make, from time to time, such departures from the detail specifications as may be required to permit improvements in the performance, reliability, or manufacturability of its products. Before placing an order, the user is cautioned to verify that the information being relied upon is current.

Allegro's products are not to be used in life support devices or systems, if a failure of an Allegro product can reasonably be expected to cause the failure of that life support device or system, or to affect the safety or effectiveness of that device or system.

The information included herein is believed to be accurate and reliable. However, Allegro MicroSystems, Inc. assumes no responsibility for its use; nor for any infringement of patents or other rights of third parties which may result from its use.

For the latest version of this document, visit our website:

[www.allegromicro.com](http://www.allegromicro.com)

